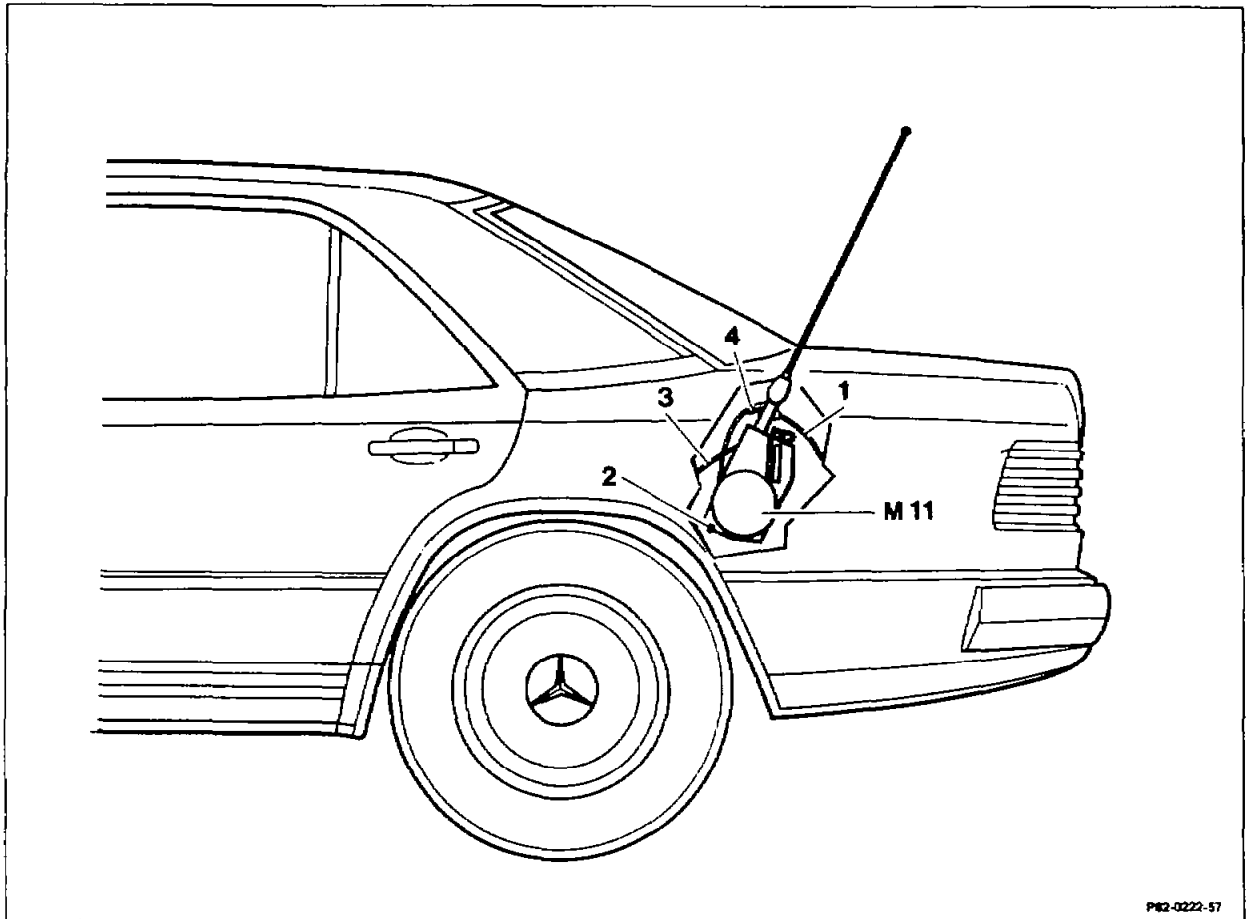


## 82-8105 Removing and Installing antenna

Operation no. of operation texts and work units or standard texts  
and flat rates: 82-8005, 82-8105

### A. Sedan, coupe and convertible



P82-0222-57

On version with automatic antenna .....	disconnect battery ground cable, reconnect.
Mat in trunk .....	remove, install.
<b>Sedan and coupe</b>	
Panelling on left side of trunk .....	remove, install.
Electrical connection for automatic antenna .....	disconnect, reconnect.
Ground strap (1) .....	disconnect, reconnect.
Bracket (2) on inside on wheelhouse .....	screw off, screw on.
Antenna (M11) .....	pull downward, install from below.

Antenna lead (4) . . . . . disconnect, reconnect.

**Note**

From the start of production the antenna inclination is approx. 10° for the sedan and approx. 30° for the coupe. The antenna inclination has been changed twice for the sedan. As of 02/87 approx. 20° for mechanical antenna only. As of 09/88 approx. 30°.

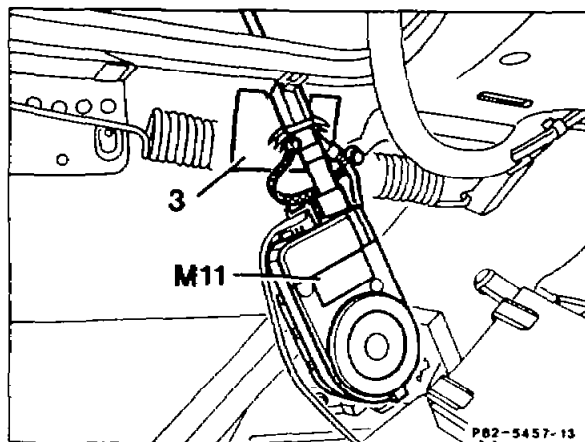
**Convertible**

Dividing wall between fuel tank and trunk . . . . .	remove, install.
Panelling on left side of trunk . . . . .	remove, install.
Receiver and amplifier A2/3 (if present) . . . . .	remove, install.
Ground strap (1) . . . . .	disconnect, reconnect.
Bracket (2) on inside of wheelhouse . . . . .	screw off, screw on.
Antenna (M11) . . . . .	pull downward, install from below.
Electrical connection for automatic antenna . . . . .	disconnect, reconnect.
Antenna lead (4) . . . . .	disconnect, reconnect.

**Model 124.034/036**

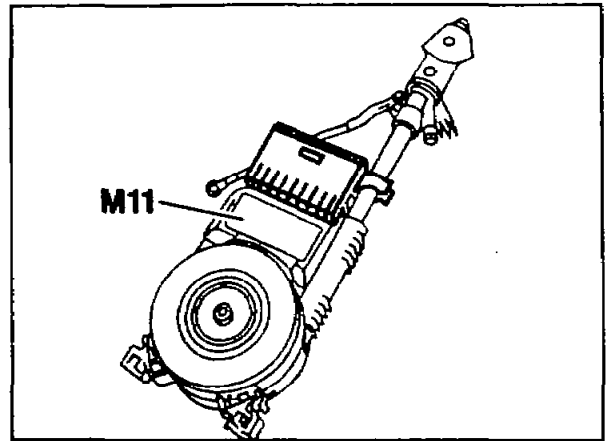
As of 04.92 an automatic antenna with improved (capacitive) ground has been installed.

3 Ground contact foil  
M11 Automatic antenna



**Antenna as of approx. 07/93**

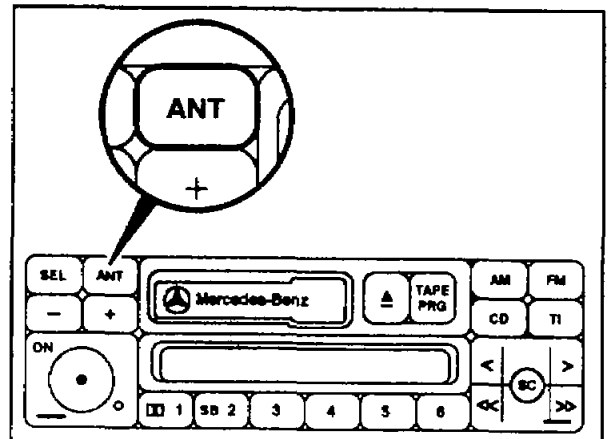
The electronic stage was separated from the mechanical stage of the antenna and attached to the mechanical section of the antenna in a separate housing.



P82-6404-13

**Japan version**

The telescoping automatic antenna can be extended half-way or completely with a button on the radio.

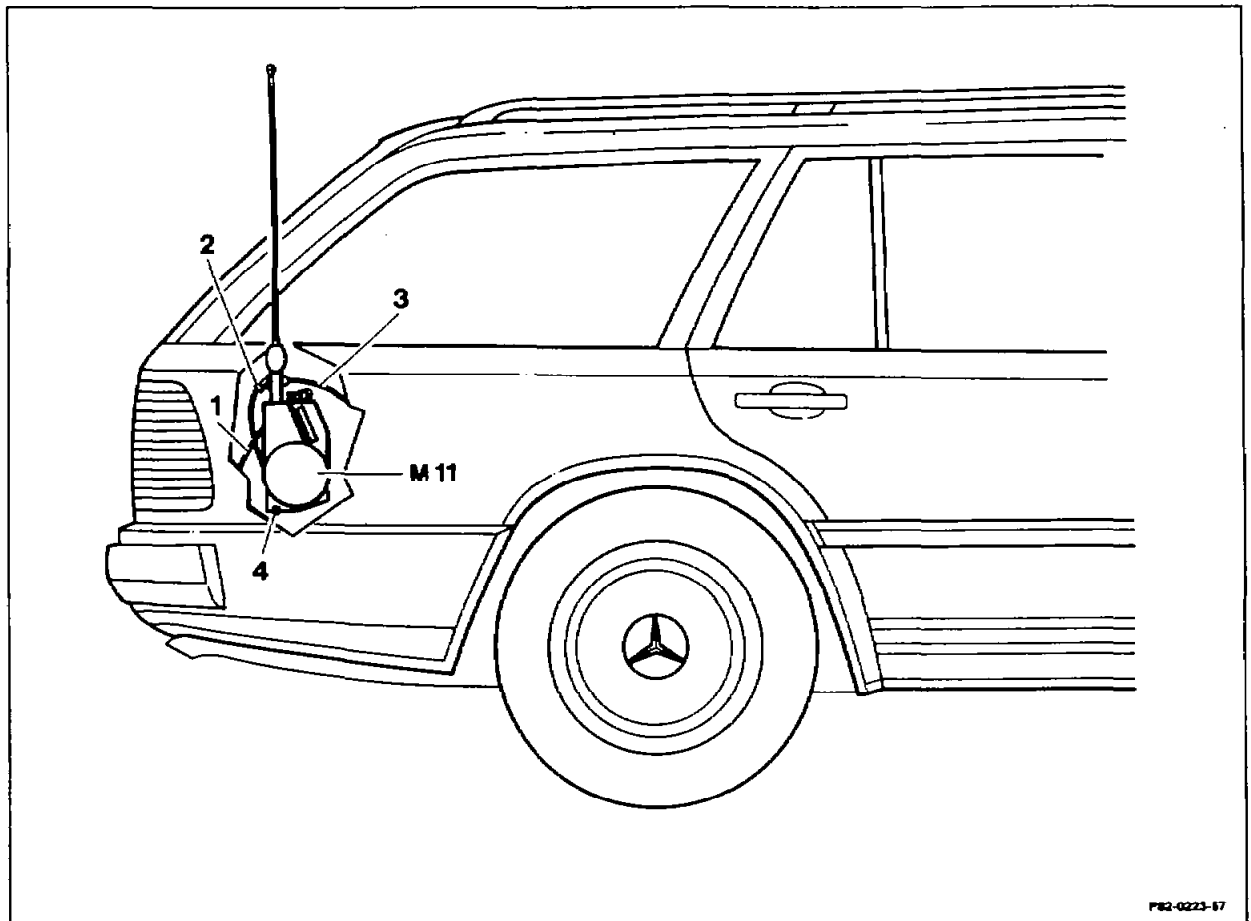


P82-6262-13

**Note**

As of approx. 07/93 an automatic antenna with improved (capacitive) ground has been installed on all 124 models.

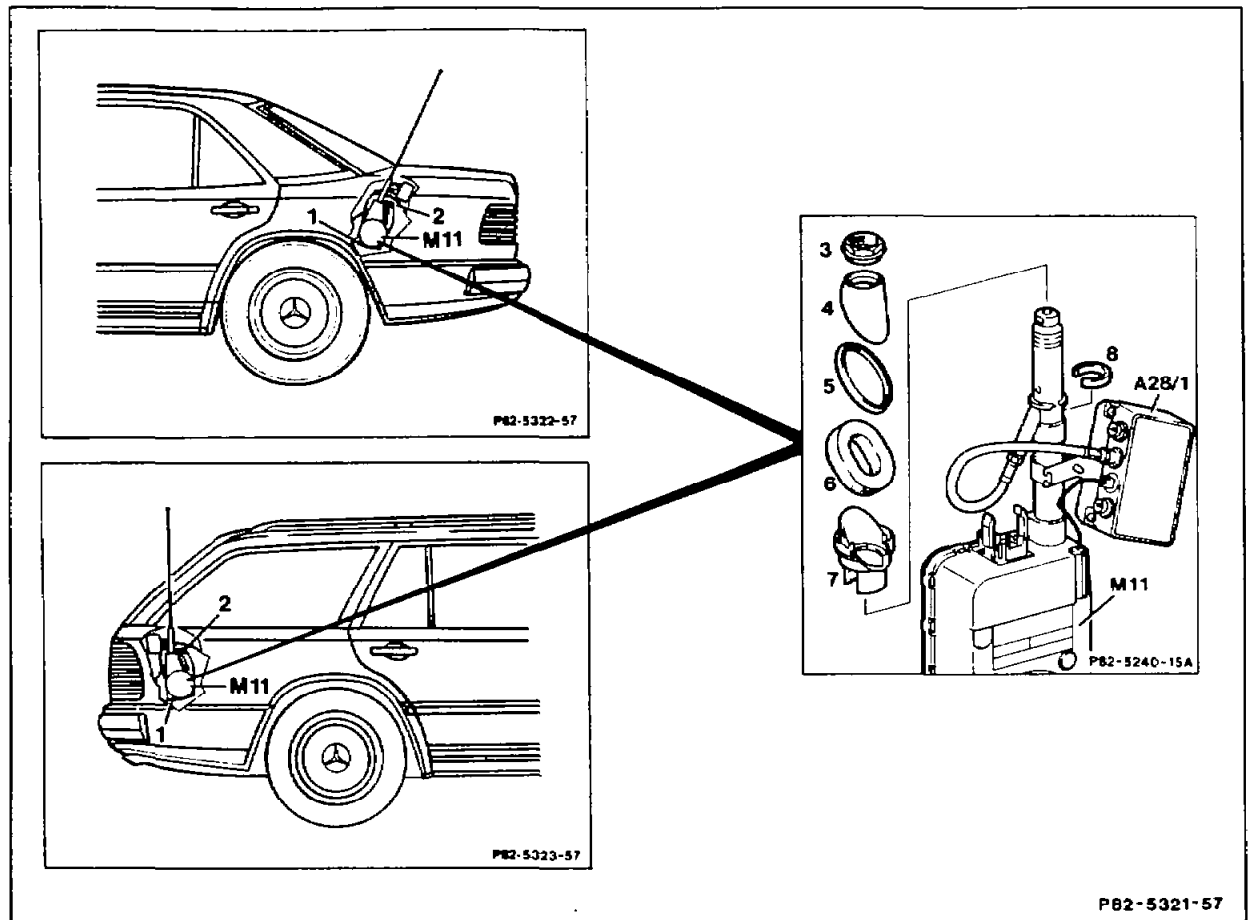
## B. Station wagon



P82-0223-57

Right side trim panel .....	open, close.
Automatic antenna version:	
Ground cable at battery .....	disconnect, connect.
Electrical connection (1) for automatic antenna ..	unplug, plug in.
Antenna cable (2) and ground strap (3) .....	disconnect, connect.
Bracket (4) .....	unscrew, screw on.
Antenna (M11) .....	pull down, insert from below.

C. (USA) antenna (radio/telephone) as of model year 92



A28/1 Antenna splitter, power antenna  
 4 Cover  
 5 Sealing ring

6 Foam rubber  
 7 Spacer  
 8 Plastic clip

**Sedan/Coupe**

Cover in left wheelhouse ..... remove, install.

**Station wagon**

Right side trim panel ..... open, close.

**All vehicles**

Ground cable at battery ..... disconnect, connect.

Nut (3) ..... unscrew, screw in.

Bracket (1) ..... unscrew, screw on.

Electrical connection (2) ..... unplug, plug in.

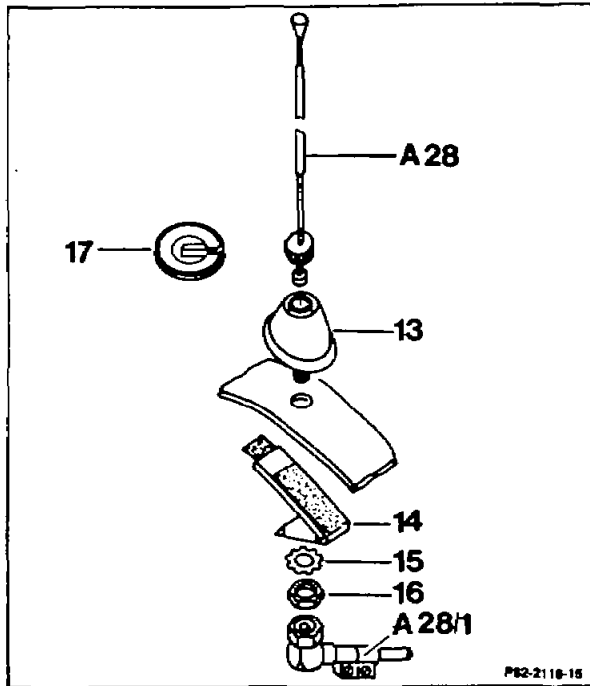
Antenna cable for radio and telephone at antenna splitter A28/1 ..... disconnect, connect.

Antenna M11 ..... remove, insert.

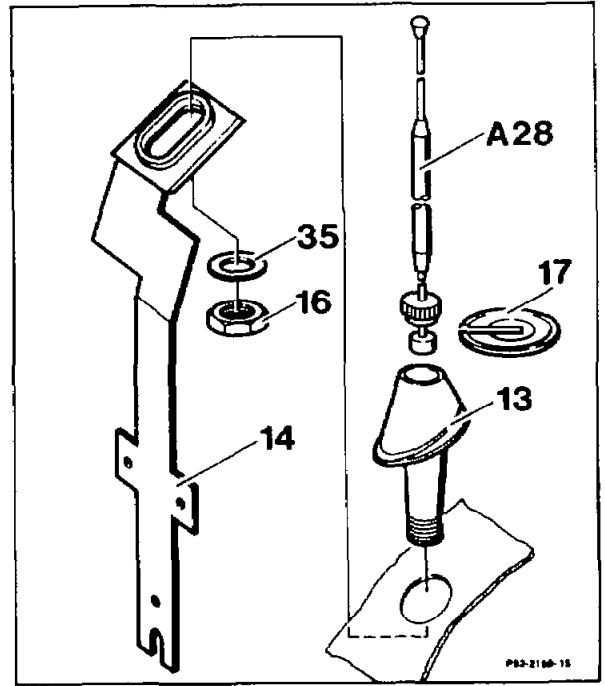
**Note**

When installing, it is important to ensure that a good earth connection exists between antenna head and fender.

## D. Antenna for radio/telephone



Sedan, coupe  
 14 Supporting plate  
 15 Serrated washer



Station wagon  
 14 Supporting plate  
 35 Washer

Antenna (A28) .....

Antenna cable at bottom .....

Nut (16) .....

Antenna base (13) .....

slacken with antenna wrench (17), take off antenna rod, fit on and tighten.

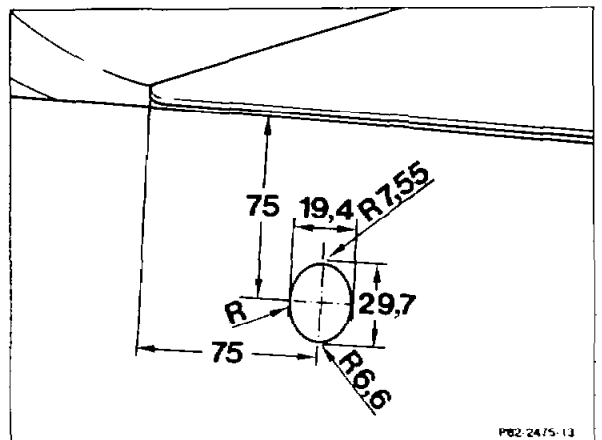
unscrew, screw on.

unscrew, screw on.

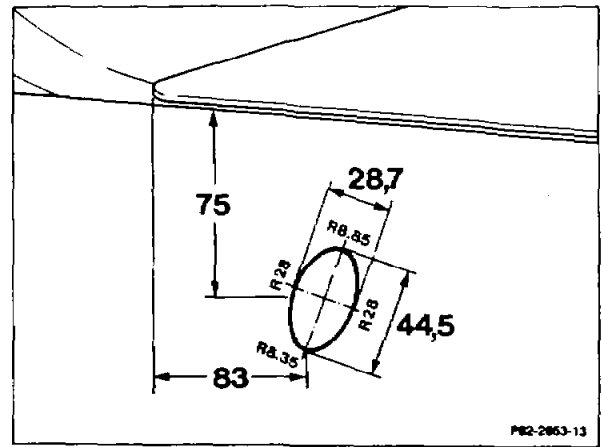
remove, insert.

## E. Sizes for antenna hole in rear fender

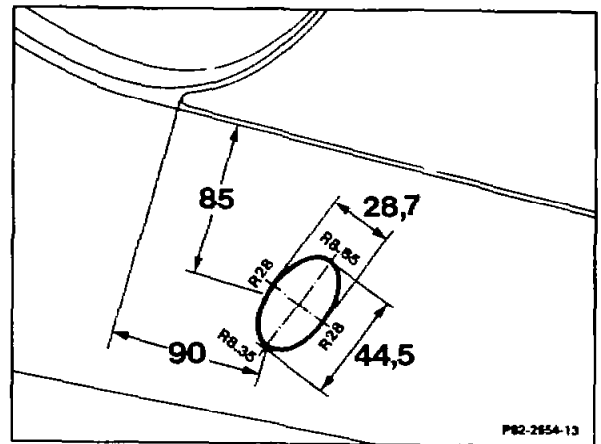
Sedan  
 Antenna angle 10° or 20°



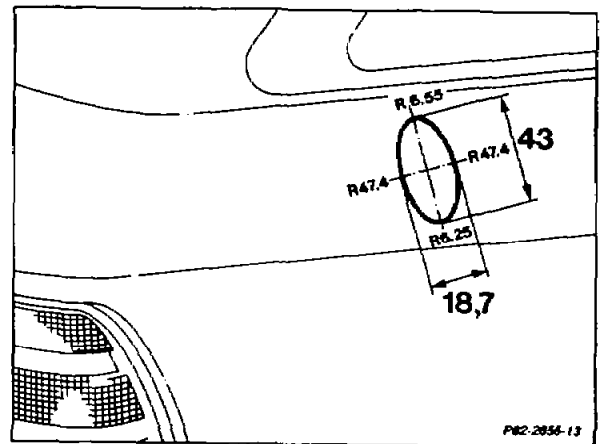
Sedan  
Antenna angle 30°



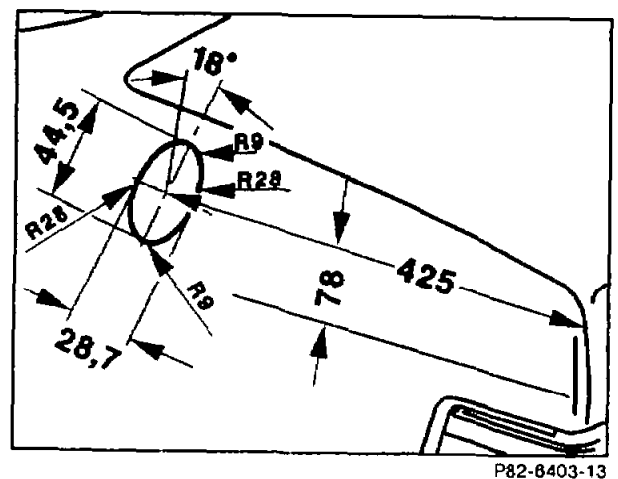
Coupe  
Antenna angle 30°



T-model



Convertible

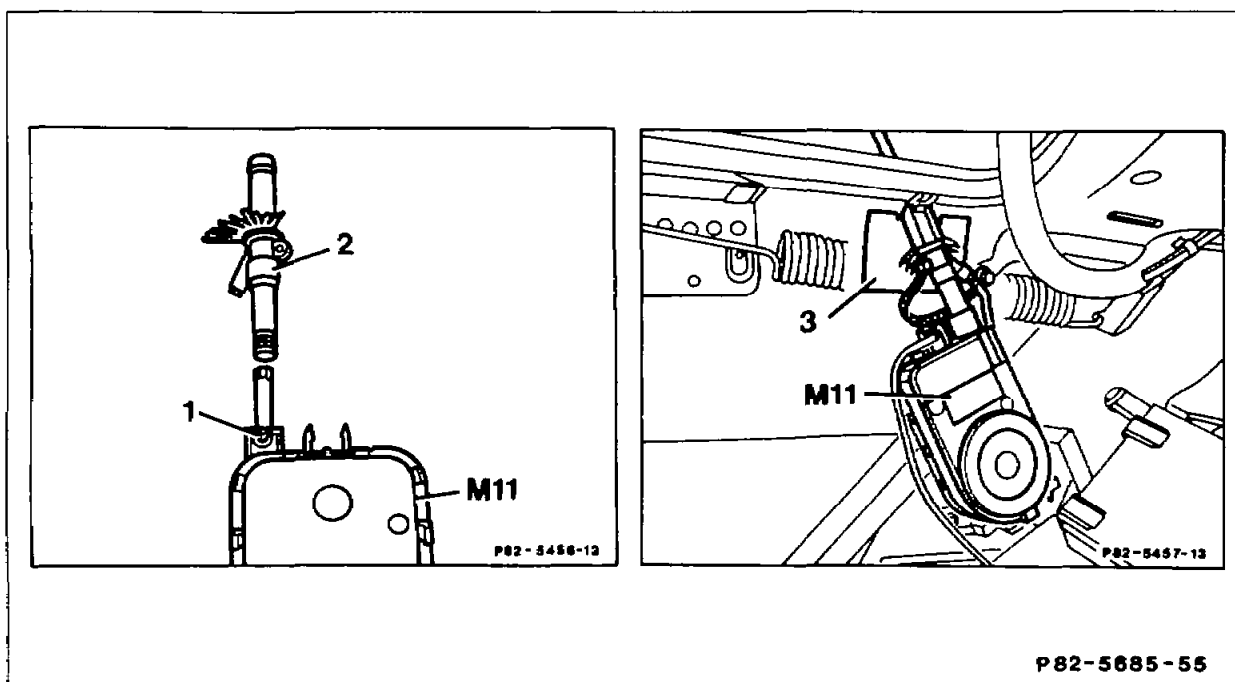


## F. Installing guide tube with improved (capacitive) ground for automatic antenna

Preceding work:

Telescope of automatic antenna removed (82-8200).

Antenna removed (82-8105).



Screw (1) .....	slacken, tighten.
Guide tube (2) .....	unscrew, screw in new guide tube (2) and align.
Ground cable at new guide tube (2) .....	attach.
Ground contact sheet (3) .....	stick onto inside of fender.

### Note

As of 04.92 on model 124.036 an automatic antenna (M11) with improved (capacitive) ground has been installed.

If radio interference exists in VHF range (with the exception of ignition and alternator interference), install guide tube with improved ground.

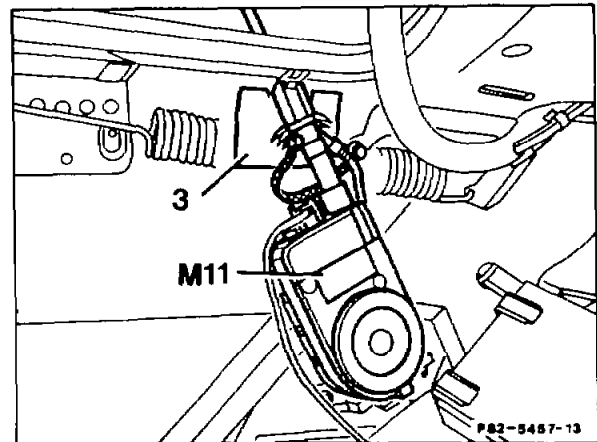


## G. General

**Model 124.034/036 as of 04/92, all models as of 07/93**

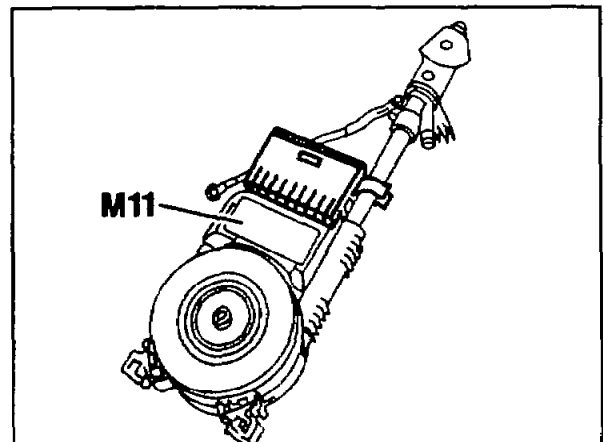
Automatic antenna with improved (capacitive) ground.

3 Ground contact foil  
M11 Automatic antenna



**Antenna as of approx. 07/93**

The electronic stage was separated from the mechanical stage of the antenna and attached to the mechanical section of the antenna in a separate housing.



**Japan version**

The telescoping automatic antenna can be extended half-way or completely with a button on the radio.

