

J5

AR01.20-P-5014HA

Removing, installing cylinder head cover

2.4.93

ENGINE 604, 605, 606.912 /961 /962 /964

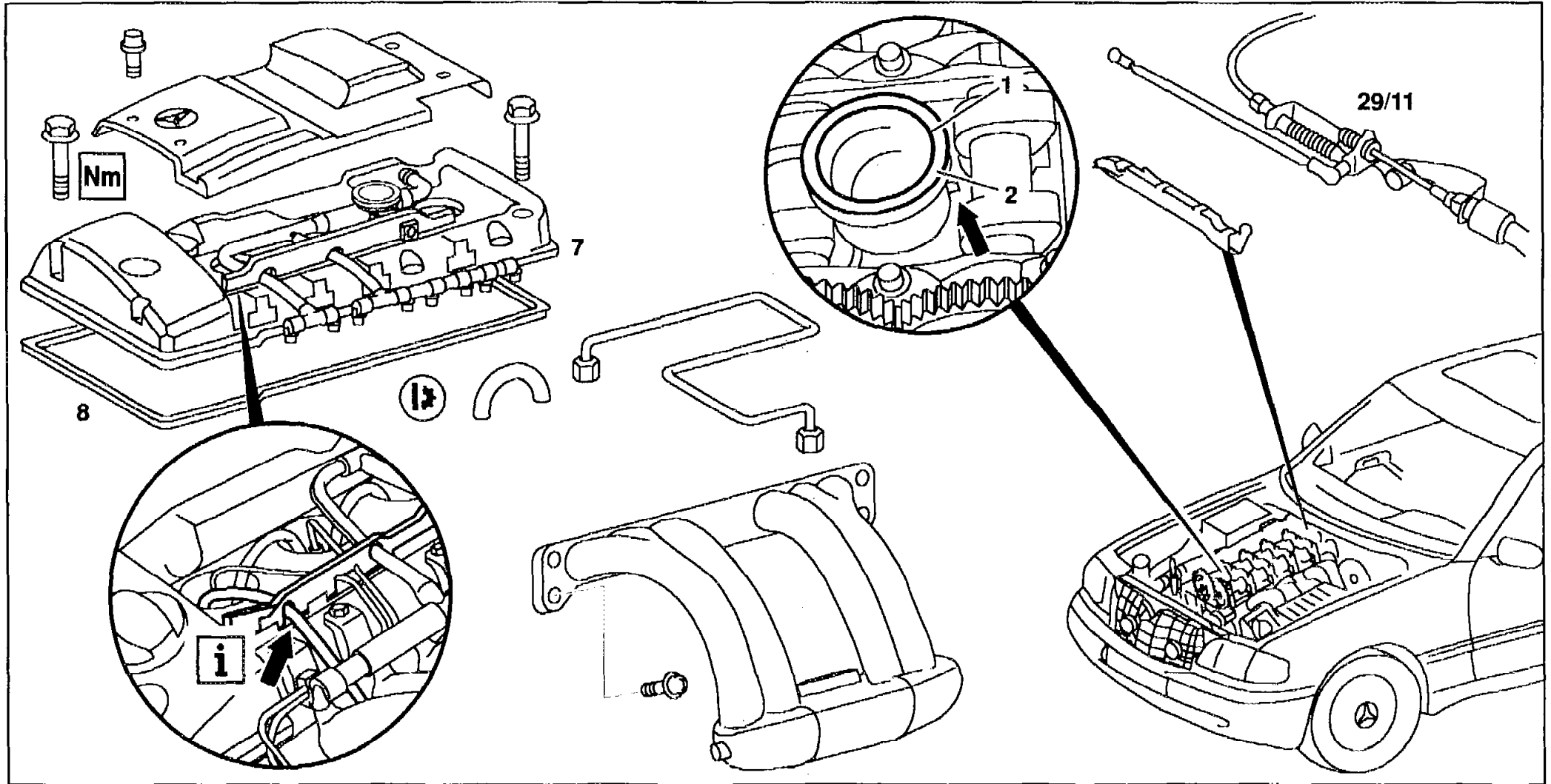


Fig. item, etc.	Work instructions		
i	Remove intake manifold	Engine 604, 605.910/912	AR09.20-P-1310H
i	Remove resonance intake manifold, install	Engine 606.912	AR09.20-P-1961H
i	Remove charge air distribution pipe, install	Engine 605.960/962 Engine 606.961/962/964	AR09.41-P-1310H AR09.41-P-1310HA
i	Remove injection pipes, install	i Remove injection pipes complete	AR07.12-P-9230H
i	Trim of cylinder head cover	i Attach with self-tapping screws. Ⓢ When replacing cylinder head cover, use self-tapping screws. i Installing: when installing trim panel of cylinder head cover, ensure that the leak oil pipe (arrow) is not jammed in between	
29/11	Control cable of automatic transmission	Model 124 with automatic transmission (code 420a, 425a), detach i Installation: ↓ Check setting of control cable, adjust if necessary	RA27.0110
7, 8	Cylinder head cover with gasket	i Replace cylinder head cover gasket if necessary after inspecting. Ⓢ Ensure that the bushes of the trim cover (1) are correctly located (arrow). Replace seals (2).	

		Nm	BA01.20-P-1001-01A
--	--	----	--------------------

Nm Engine ventilation, cylinder head cover

Number	Designation	Engine
BA01.20-P-1001-01A	Bolt of cylinder head cover to cylinder head Nm	604, 605, 606 10