

G2

AR01.00-P-2410G

Disconnecting, connecting engine wiring harness

7.5.96

ENGINE 606.961 in MODEL 140

- 33 Control module box
- N3/7 IFI control module
- N14/2 Glow output stage
- X4/10 Terminal block circuit 30/30Ü
- X27 Starter wiring harness connector
- X35/63 Control module box/engine separation point
- Z Bottom engine wiring harness

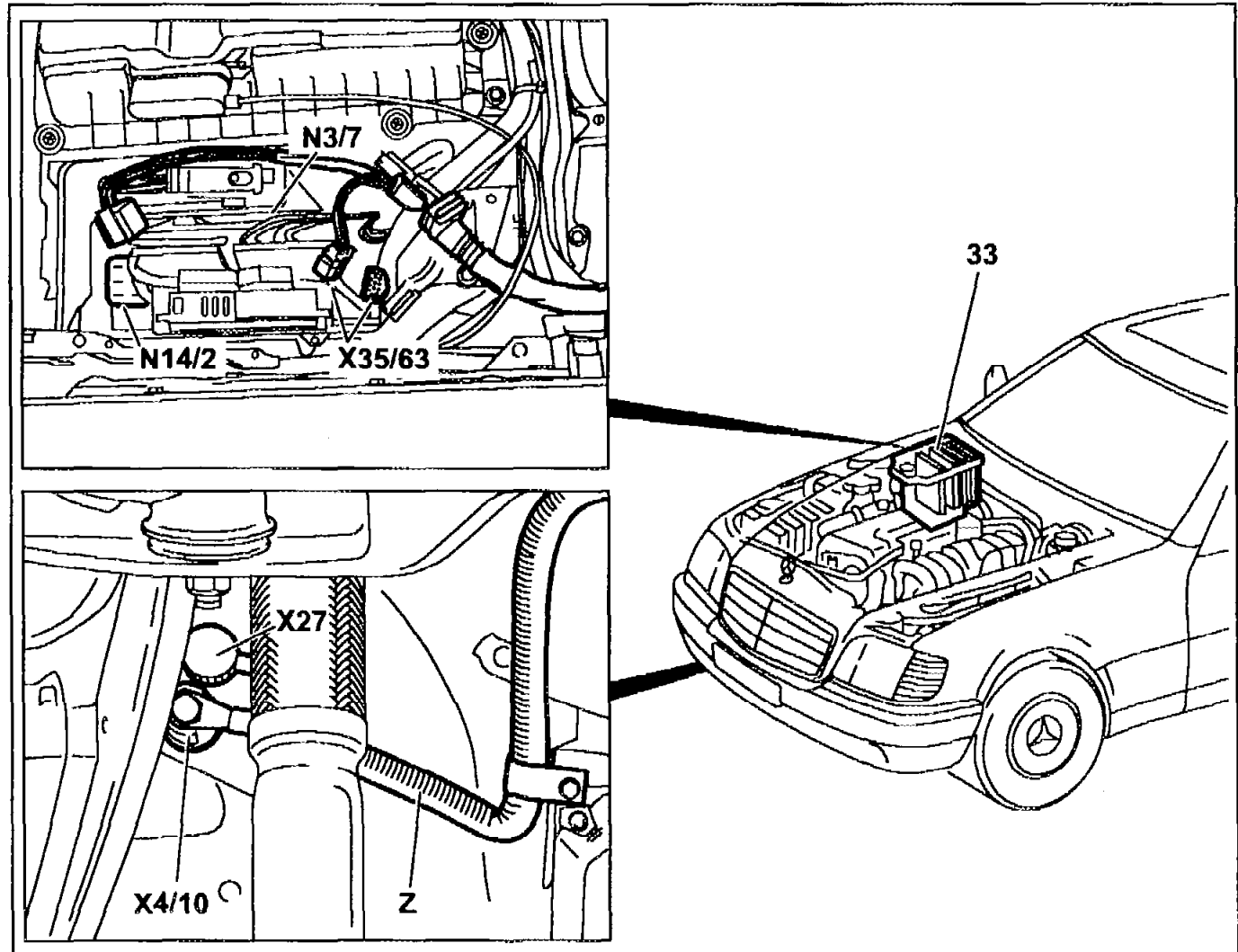




Fig. item, etc.	Work instructions		
	Disconnect ground cable of the battery		AR54.10-P-0003A
	Unbolt heat shield in the area of the terminal block circuit 30/30Ü (X4/10)		
33	Control module box	Unbolt cover	
X35/63	Disconnect control module box/engine separation point		
N14/2	Glow output stage	Unplug connector	
X27	Unplug starter wiring harness connector		
X4/10	Terminal block circuit 30/30Ü	Disconnect cable	