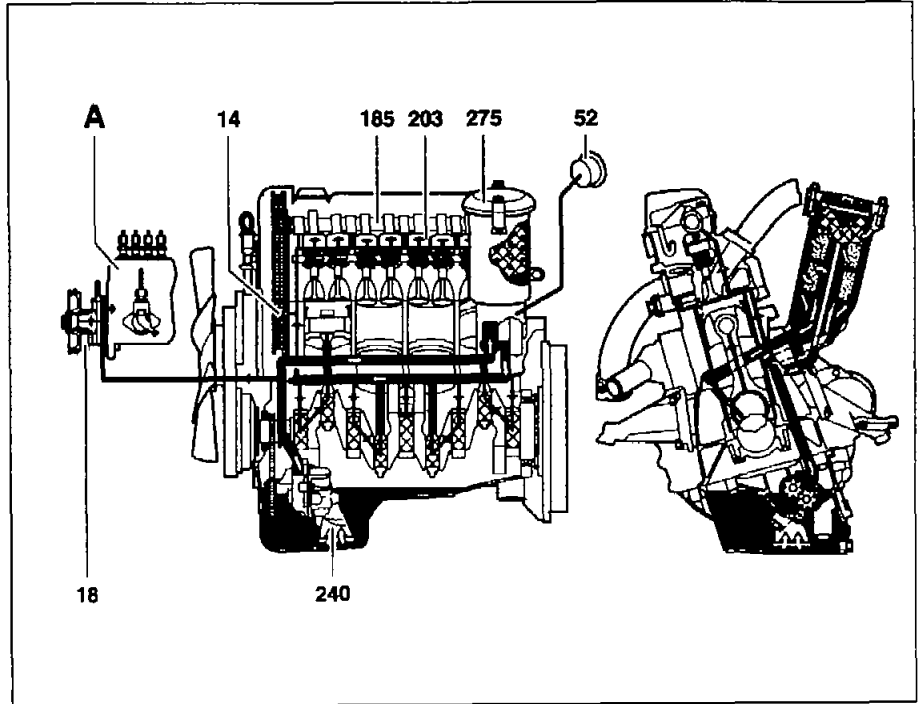

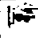



**ENGINE 601, 602, 603 (except, 602.982)**

- 14 Oil spray nozzle
- 18 Injection timing
- 52 Oil pressure gage, engine 601.911
- 185 Camshaft
- 203 Valve tappet
- 240 Oil pump
- 275 Oil filter
  
- A Injection pump



P18.00-0400-06

 GF	Oil pressure circuit function		GF18.00-P-1000A GF18.00-P-1000A
 GF	Oil return flow function		GF18.00-P-1001A GF18.00-P-1001A
 GF	Turbocharger oil circuit function		GF18.00-P-1002A GF18.00-P-1002A

