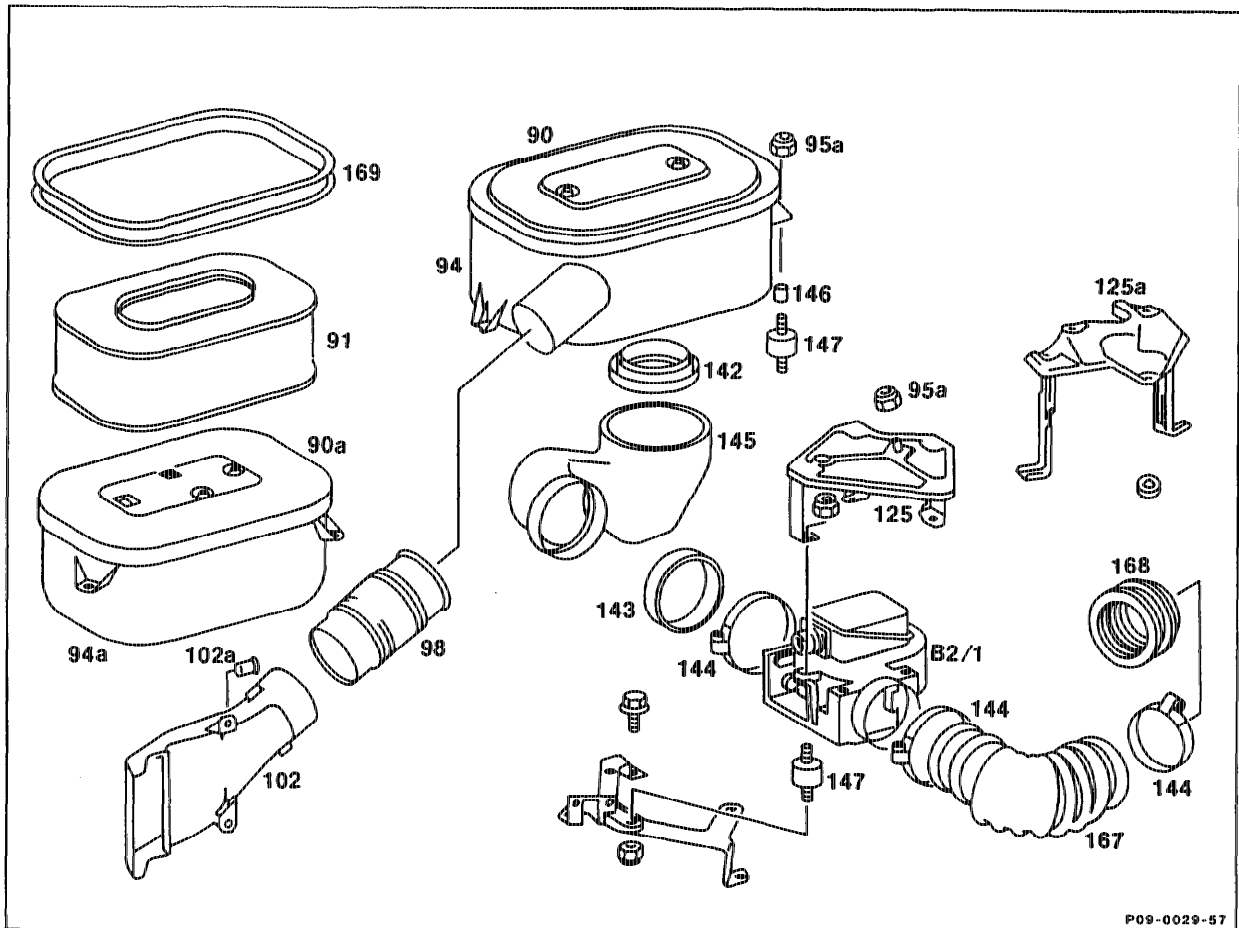


09-1051 Removing and Installing Air Cleaner

Operation no. of operation texts and work units or standard texts and flat rates: 09-1051

A. Models 124, 126

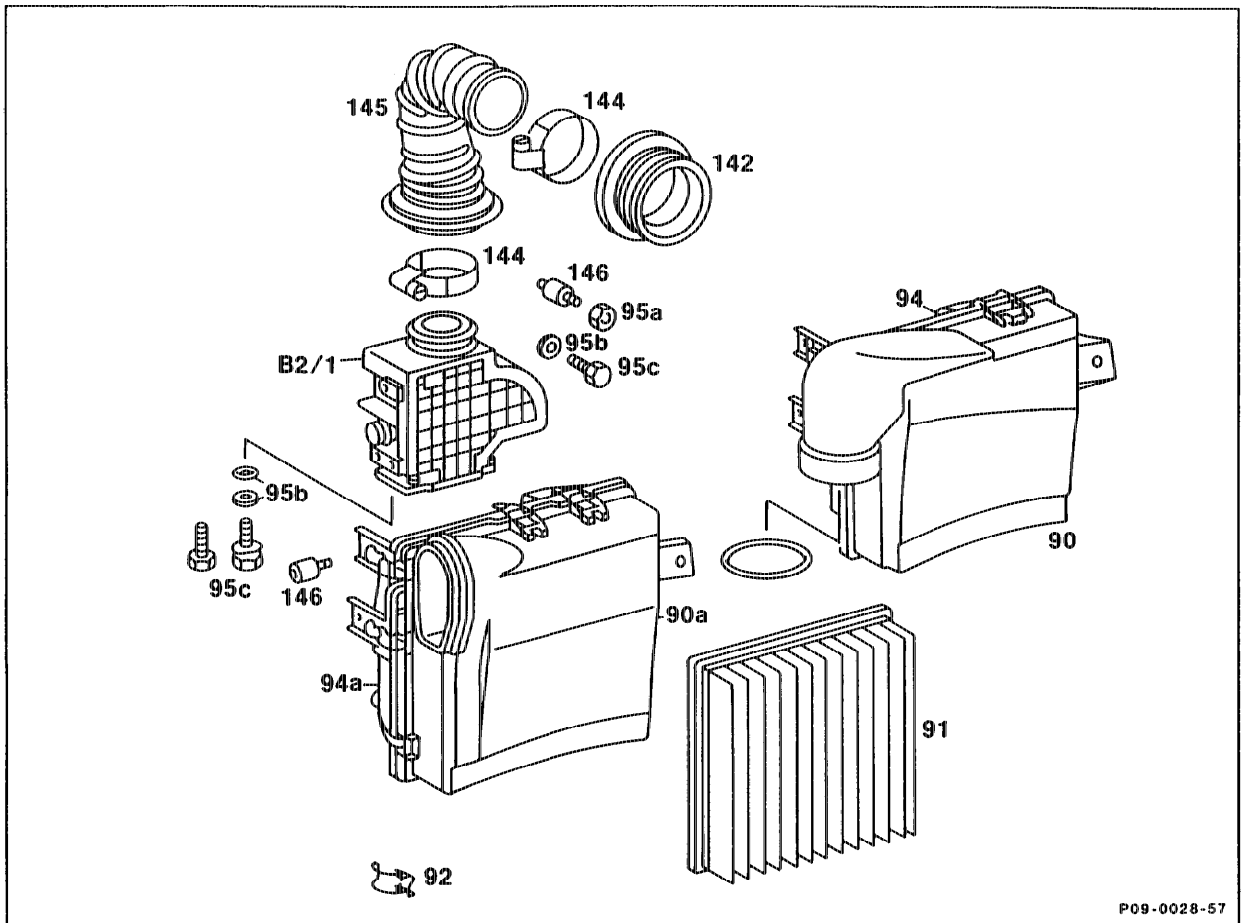


Air cleaner element (91)	remove, install.
Air cleaner cover (90) Model 126	remove, install.
Air guide housing (94) Model 126	remove, install. Ensure correct position.
Cup seal (142)	remove, install.
Sealing ring (143)	remove, install.
Hose strap (144)	remove, install.
Air flow sensor (B2/1)	remove, install.

Stopper (147) (3 off)	renew according to condition.
Nut (95a) (3 off)	screw on, unscrew.
Spacer tube (146) (3 off)	remove, install.
Intake pipe air line (145)	remove, install.
Intake line (98)	remove, install.
Intake scoop (102)	remove, install.
Pin (102a)	unclip, clip in place.
Mounting bracket (125)	remove, install.
Air cleaner cover (90a) Model 124	remove, install.
Air guide housing (94a) Model 124	remove, install.
Intake hose (167)	remove, install.
Cup seal (168)	remove, install.
Packing (169)	ensure correct position.
Supporting bracket (125) (without air flow sensor)	remove, install.
Supporting bracket (125 a) (with air flow sensor)	remove, install.



B. Model 201

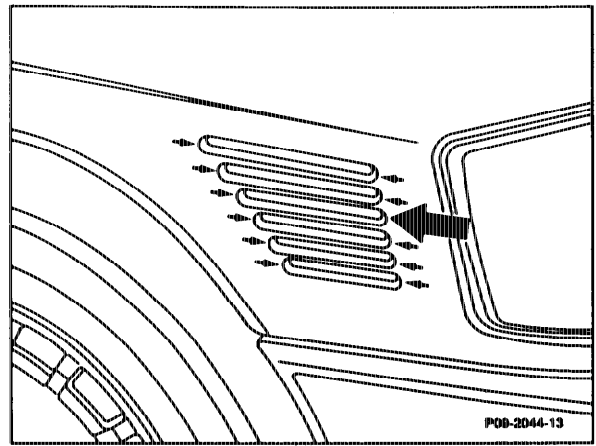


P09-0028-57

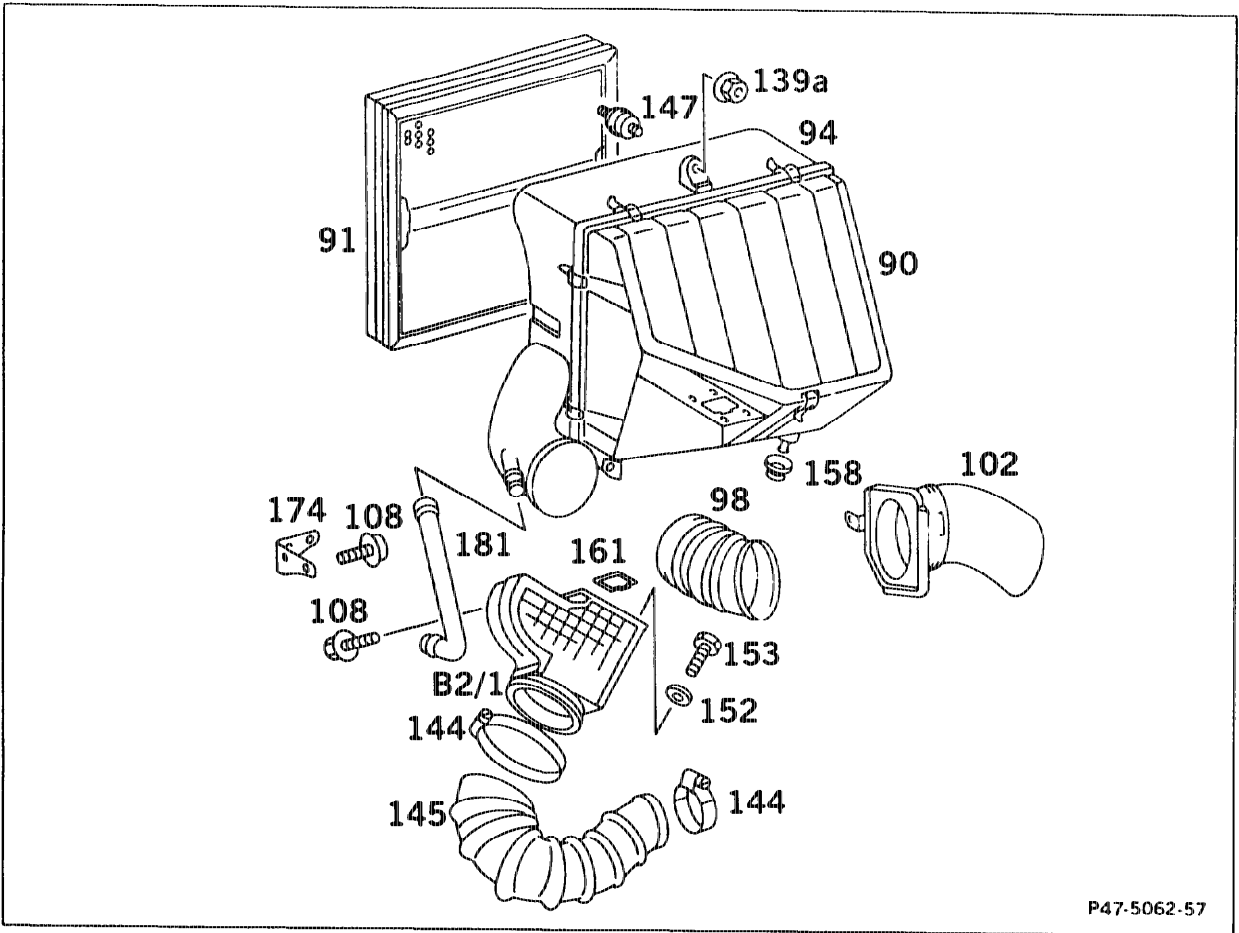
Air cleaner element (91)	remove, install. Ensure correct position when installing.
Air cleaner cover (90)	remove, install.
Air guide housing (94)	remove, install.
Air guide housing (94a) (USA)	remove, install.
Cup seal (142)	remove, install.
Hose strap (144)	slacken, tighten, remove, install.
Intake pipe air line (145)	remove, install.
Stopper (146)	renew according to condition.
Nut (95a)	screw on, unscrew.
Air flow sensor (B2/1)	remove, install.
Wire clip (92)	unclip, clip in place.
Air cleaner cover (90a)	remove, install.
Washer (95b)	remove, install.
Bolt (95c)	remove, install.

Repair Instruction

When the engine is running, the wing cover (right) must be taken off, otherwise the fresh air inflow (arrow) is blocked.



C. Model 140



P47-5062-57

Air cleaner element (91)	remove, install.
Hose strap (144)	slacken, tighten.
Intake pipe air line (145)	remove, install.
Air flow sensor connector	unplug, plug in.
Air cleaner cover (90)	remove, install.
Air flow sensor (B2/1)	remove, install.
Seal (161)	replace according to condition.
Nut (139a)	unscrew, screw on.
Intake line (98)	take off, fit on.
Intake scoop (102)	remove, install.
Bracket (174)	unscrew, screw on.
Air guide housing (94)	remove, install. Ensure correctly seated.
Buffer (147)	replace according to condition.
Drain hose (181)	take off, fit on.