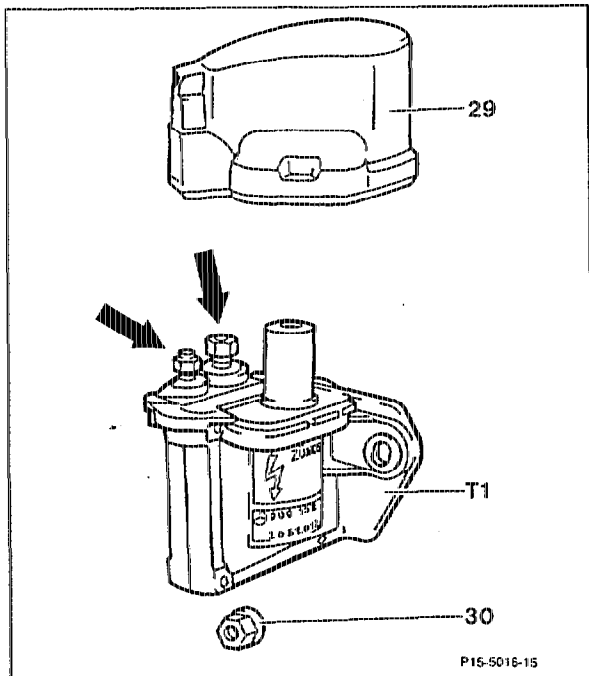


## 15-2001 Removing and installing ignition coil

Operation No. of operation texts and work units or standard texts  
and flat rates:  
15-2001



Pay attention to instructions for working on the breakerless transistorized ignition system, see Diagnosis Manual Engine, Volume 2, Index 5.1.

Ground cable at battery .....	disconnect, connect.
Cover (29) .....	for ignition coil (T1), take off, fit on.
Nuts (arrows) .....	for electrical connections, unscrew, screw on.
Ignition cables at ignition coil .....	unplug, plug in.
Nuts (30) .....	unscrew, screw on.
Ignition coil (T1) .....	remove, insert.

### Note

Positive lead, M5 connection thread.  
Negative lead, M6 connection thread.